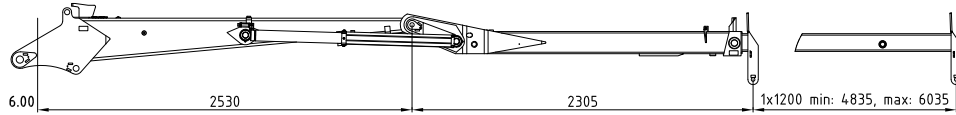
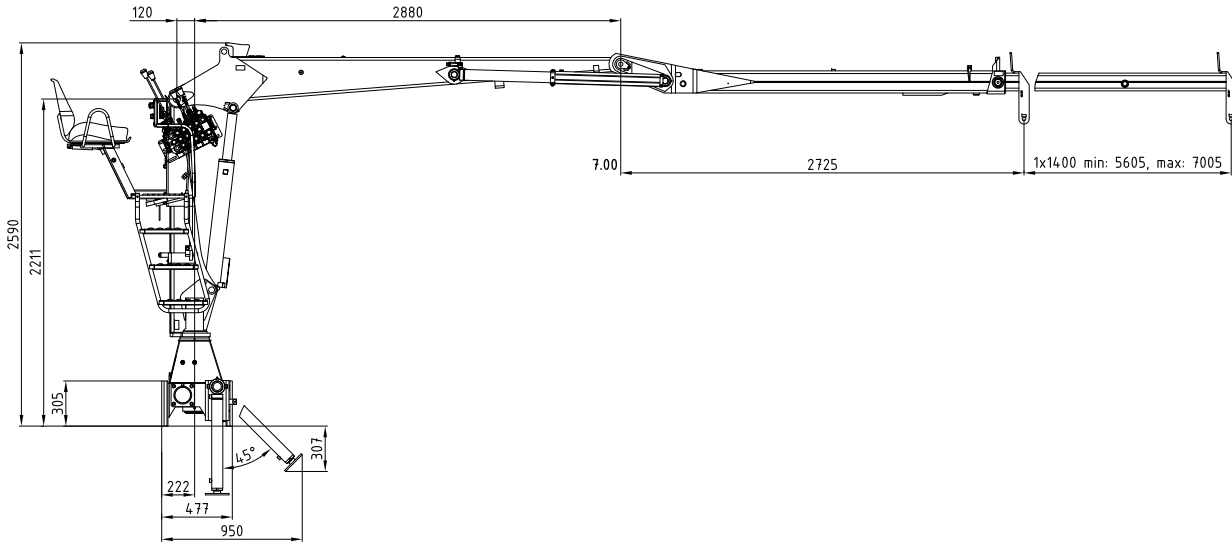


4Z

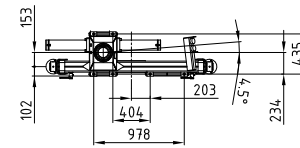
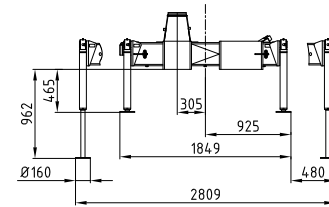
39 - 41 kNm	6,0 - 7,0 m	2,8 m	2,8 - 4,1 m	990 - 1.040 kg	380°	9 kNm	220 bar	1x Minimum 40 l/min ~ 16 kW	LS Minimum 75 l/min ~ 30 kW	

7.00 Schläuche außen / Hoses outside 6.00 Schläuche außen / Hoses outside

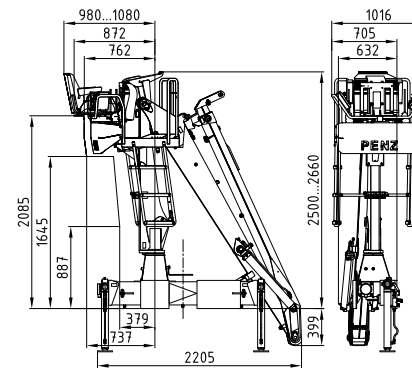


4Z7.00	1000	780	650	505				[kg]
4Z6.00	1065	800						[kg]
	4m	5m	6m	7m				

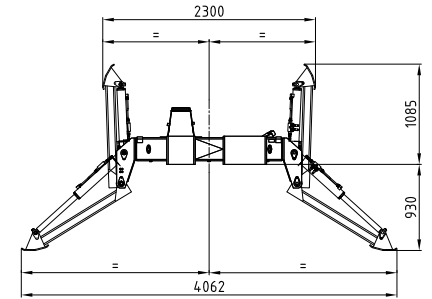
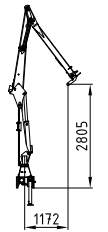
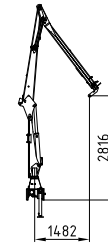
Socket
Crane base



7.00 Rückstz 04
7.00 Back seat 04



Klappabstützung / Folding support



6.00 Rückstz 04
6.00 Back seat 04

